

d-balls



# **d-balls**

---

electronic ball dropper

---

## DECLARATION OF CONFORMITY

We:

VNT electronics s.r.o.

Dvorská 605

563 01 Lanškroun

IČO: 64793826

declare under own responsibility that the product:

**Electronic ball dropper**

**Dogtrace d-balls**

is in compliance with the essential requirements and other relevant provisions of Directive 2014/53/EC meets requirements of General Licence of The Czech Telecommunication Office according to general licence no. VO-R/10/05.2014-3 and corresponds to the following standards:

**ETSI EN 301 489-1 V1.9.2**

**ETSI EN 301 489-3 V1.6.1**

**ETSI EN 300 220-2 V.2.4.1**

**ETSI EN 60950-1 ed.2:2006/A1:2010/A11:2009/A12:2011/A2:2014/Cor.1:2012**

**EN 62479:2010**



The product is safe on condition of commonly used in conformity with instruction manual. The Declaration of Conformity is based on following dates:

**Measuring report no.:** 6440-7600/2008 issued by certificated laboratory no.1103  
VTÚPV Vyškov

**Measuring report no.:** 6440-697/2008 issued by certificated laboratory no.1103  
VTÚPV Vyškov

This declaration of Conformity is created in exclusive responsibility of producer.

In Lanškroun 1. 1. 2018

Ing. Jan Horák

executive director

Tel.: +420 461 310 764

info@dogtrace.com

**www.dogtrace.com**

A handwritten signature in black ink, appearing to be 'J. Horák', is written next to the printed name of the executive director.

**VNT electronics s.r.o.**, hereby declares that this **Dogtrace** electronic ball dropper d-balls complies with the essential requirements and other relevant provisions of Directive **2014/53/EC**.

Thank you for purchasing Dogtrace **d-balls** product from  
**VNT electronics s.r.o.**

Before using your product, please read the instructions in this user guide carefully and keep it for future reference.

<b>2 Introduction</b> .....	<b>4</b>
2.1 Package contents .....	4
<b>3 Product description</b> .....	<b>5</b>
<b>4 Battery installation and replacement</b> .....	<b>6</b>
<b>5 Turning ON/OFF</b> .....	<b>7</b>
<b>6 Programming (pairing) of the remote controller and the receiver</b> .....	<b>7</b>
<b>7 How to use the remote controller</b> .....	<b>8</b>
<b>8 For the best results</b> .....	<b>8</b>
<b>9 User instructions</b> .....	<b>8</b>
<b>10 Maintenance</b> .....	<b>9</b>
<b>11 Troubleshooting</b> .....	<b>9</b>
<b>12 Technical data</b> .....	<b>10</b>
<b>13 Warranty terms and conditions</b> .....	<b>11</b>
<b>14 Certificate of warranty</b> .....	<b>12</b>



using of  
d-balls

dogtraceofficial



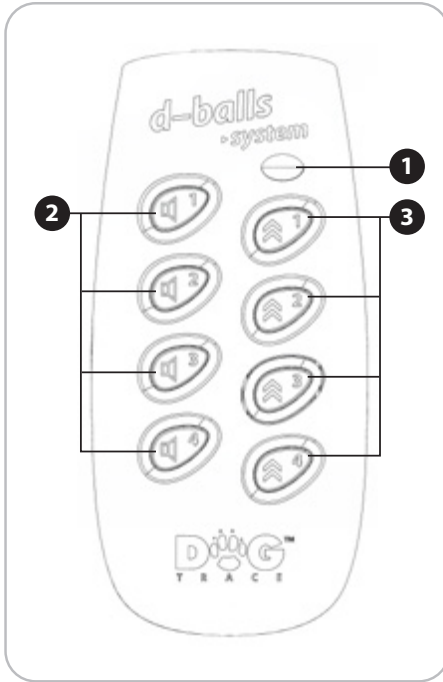
The remote control training ball dropper **d-balls** is an excellent training device suitable for the following exercises: sending the dog forward, running round dummies and checking them, territorial training, overcoming obstacles and so on. The ball dropper is remote controlled at distances up to 250 m. Up to 4 droppers can be operated by one remote controller. Each of them has a container for 4 balls. It is not necessary to load them after every use. The dog is rewarded after completing an exercise only in case it deserves it. The ball dropper can also be used to attract the dog's attention with an acoustic signal. The controller is compatible for d-balls ball droppers and at the same time for d-ball UP ball throwing machines. **Suitable for training centres as well as home use.**

### **2.1 Package contents**

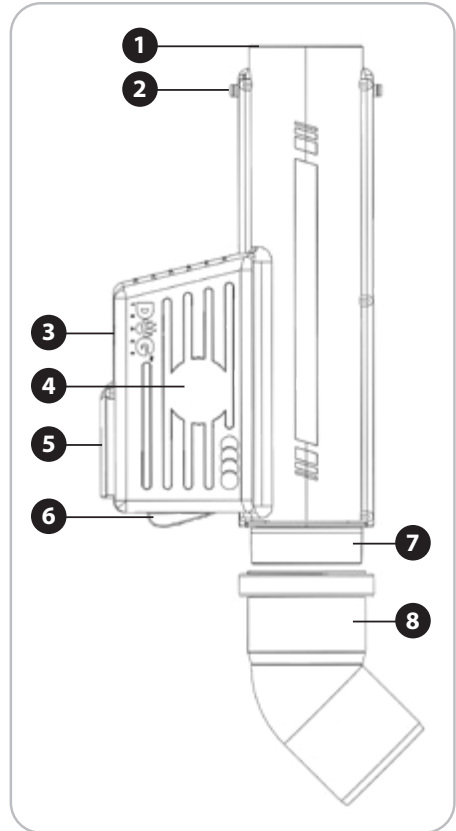
- d-balls (ball dropper)
- remote controller (transmitter)
- 4 balls
- 4 LR6 AA 1,5 V batteries
- 1 CR2 3V battery
- strap with loops for hanging
- set of marking labels with numbers
- lanyard for hanging the remote control around the neck
- user guide and certificate of warranty

*\* the package contents refer to the transmitter and ball dropper set only*

## REMOTE CONTROLLER



## BALL DROPPER



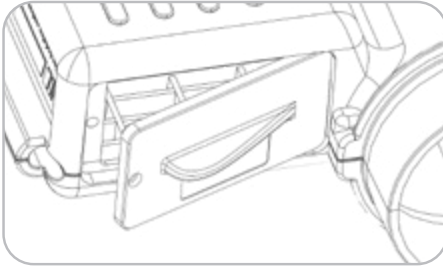
**REMOTE CONTROLLER** – 1 – Indication light, 2 – Sound alert for 1st to 4th ball dropper, 3 – Ball release for 1st to 4th ball dropper

**BALL DROPPER** – 1 – Ball dropper cover, 2 – Holders for hanging the belt with buckles, 3 – Indication lights, 4 – Marking number space, 5 – Hole for mounting the dropper on the stand, 6 – Battery space cover, 7 – Extension for attaching attachments, 8 – Extension (optional accessory)

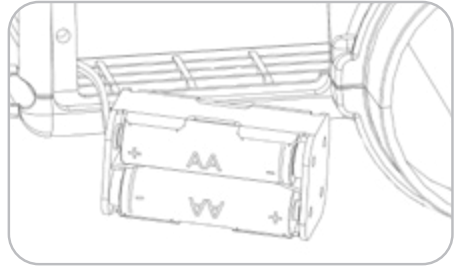
## 4 BATTERY INSTALLATION AND REPLACEMENT

### Installation (replacement) of the battery in the ball dropper

- Remove the screw from the ball dropper battery space cover with a cross-head screwdriver. Take the battery holder out carefully. Insert 4 LR6 AA 1,5V batteries. Mind the polarity marked on the battery holder.
- Before putting the battery space cover back to its place make sure that the battery holder is seated in the battery space correctly. Tighten the screw on the battery space cover using adequate force.



*Battery space cover*



*Battery holder*

### Checking the battery status

Look at the indicator light on the front panel of the ball dropper to check the battery status:

- The battery is fully charged: the LED indicator blinks slowly in green in on-state.
- The battery is weak: the LED indicator blinks in red in on-state. Prepare 4 spare LR6 AA 1.5 V batteries and follow the previous paragraph Installation of the battery in the ball dropper.

**TIP:** The device can also be operated using LR6 rechargeable batteries.

### Installation (replacement) of the battery in the remote controller

- Unscrew the battery space cover screw on the back side of the remote controller and lift the cover carefully. Insert a new 3V CR2 battery. Mind the polarity marked on the battery cover (see the picture). Put the cover back and tighten the screw using adequate force.
- When the battery gets weaker, the remote controller performance (radio signal coverage) decreases. The battery needs to be replaced. Discharged battery is indicated by red LED diode which is lit up by pressing any button on the remote controller. Prepare a spare battery and follow the instruction above for replacing batteries in the remote controller.



*Battery compartment*

**TIP:** You can remove the batteries more easily using a small screwdriver inserting it carefully under the edge of the battery.

Make sure the remote controller is working correctly. By pressing any button, the green LED diode lights up.

---

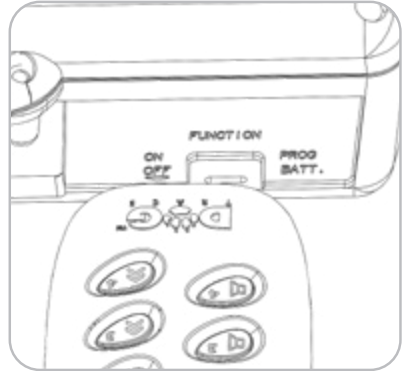
## 5

## TURNING ON / OFF

---

- **Turning on:** Place the lower part of the remote controller to the marked arrow (see the picture). The ball dropper indicator blinks in red (The ball dropper is recognised). Remove the remote controller when the LED diode lights up in red permanently. The diode starts blinking in green indicating the ball dropper is ready for use.
- **Turning off:** Place the lower part of the remote controller to the marked arrow (see the picture) again. The receiver indicator lights up in red. Remove the remote controller. The red LED diode goes out. The ball dropper is turned off.

To prolong the battery lifetime, the ball dropper is always to be turned off after training. If the ball dropper is not used for a longer period of time, removing batteries is recommended.



*Position when switching on/off the ball dropper and when pairing the transmitter with the ball dropper*

---

## 6

## PROGRAMMING (PAIRING) OF THE REMOTE CONTROLLER AND THE RECEIVER

---

Every remote controller has its own RF operational code. Programming of the remote controller with the ball dropper will be performed during the first use of the **Dogtrace d-balls** set or with a new remote controller or ball dropper (in case they get lost). This operation enables you to match your remote controller with the delivered ball dropper.

**IMPORTANT:** Before programming (pairing) is started, make sure no one else is using d-balls ball dropper or another Dogtrace product close to you. Your ball dropper could randomly receive a code from another remote controller and set itself to it. If this happens, program your ball dropper once again using your remote controller.

- If you have inserted balls into the container, replace them.
- Place the lower part of the switched-off remote controller to the arrow marked on the ball dropper (see the picture on page 7). The red LED diode blinks, the green LED diode lights up for 3 seconds. Then the red as well as the green LED diode starts blinking. The ball dropper is ready for pairing. Now move the remote control away and press the sound button 1 to 4 on the remote control keypad to control the ball dropper. The ball dropper should beep when the sound button is pressed.
- Use the same procedure for pairing more ball droppers.

---

## 7

---

## HOW TO USE THE REMOTE CONTROLLER

---

The **Dogtrace d-balls** remote is designed to work with 4 d-balls droppers or d-ball UP throwing machines. A signal can be sent to these devices for an sound alert or to release/throw the ball.

---

## 8

---

## FOR THE BEST RESULTS

---

Commands for balls ejection are sent from the transmission unit to the ball dropper on radio waves. Radio wave propagation is influenced by many factors. The reach of this device is approximately 250 m at common circumstances (depending on geographical conditions and surroundings).

### **Follow the instructions below to get the best results with this device:**

- To get the best connection, hold the remote controller in your hand not covering its front part (the antenna is installed in this part).
- The reach is increased by holding the remote controller with your hand outstretched in front of you.
- Check the battery status in the remote controller as well as in the ball dropper before using the set. Replace the batteries if necessary.
- Battery performance decreases moderately at temperatures below 0 °C. If possible, keep the remote controller warm in your pocket and take it out only when using.

---

## 9

---

## USER INSTRUCTIONS

---

- Don't put the remote controller close to objects sensitive to magnetic field to avoid causing permanent damage to them.
- Don't expose the **d-balls** set to high temperatures.
- It is necessary to replace the batteries every two years, even in case the set has not been in use for a longer period of time. Don't leave discharged batteries in the device to avoid potential damage.
- The set is designed to be used with four balls maximally. Don't use any extenders to increase the capacity. It could cause damage to the device.
- Use only balls delivered with the set or recommended by the manufacturer. Using different balls than recommended can cause damage to the device.



---

## 10

## MAINTENANCE

---

Don't use any essential substances such as diluents, petrol or various cleaners to clean the **d-balls**. Use a soft wetted cloth, eventually a neutral cleaning agent.

**The remote controller is not water resistant.** Protect it from water and humidity as much as possible. If dropped into water, the device will probably be damaged permanently.

The ball dropper is designed to be able to stay in the rain for a short time after closing the cover of the ball container.

The set remembers the configuration settings (autocoding). It stays in the last selected mode after you switch it on again.

---

## 11

## TROUBLESHOOTING

---

**Do the following before you consider your device defective:**

- Read the user's guide again and check whether the problem isn't caused by weak batteries or incorrect use.
- Check the correct polarity and position of batteries.
- If it doesn't help, reprogram the ball dropper according to the instructions in this user's guide.
- If the problem prevails, try to initialize the system by removing batteries from the holder in the ball dropper and from the remote controller. Create a shortcut to the contacts using a steel tool (screwdriver, scissors for instance) for about 2 seconds. Insert the batteries again and carry out matching.

**If the problem still prevails, contact your dealer.**

**Transmitter**

Reach .....	approx. 250 m in an open space
Power supply .....	3V CR2 lithium battery
Battery lifetime .....	6–12 months depending on use
Frequency (performance) .....	869,525 Mhz (25 mW)
Antenna .....	integrated
Radio connection security and coding .....	microcontroller
Number of connectable ball droppers .....	4
Working temperature .....	-10 °C to +50 °C
Weight .....	63 g (without battery)
Dimensions .....	110 × 52 × 29 mm

**Ball dropper**

Power supply .....	4 LR6 AA 1,5 batteries (or rechargeable LR6 batteries)
Battery lifetime .....	6 months depending on use
Frequency .....	869,525 Mhz
Antenna .....	integrated
Covering .....	against short rain with the ball container cover closed
Radio connection security and coding .....	microcontroller
Working temperature .....	-10 °C to +50 °C
Weight .....	750 g
Dimensions .....	327 × 184 × 84 mm

**VNT electronics s.r.o.** guarantees the product in case of manufacturing defects for two years from the date of purchase. The warranty does not cover the following items:

- batteries
  - belt with loops for hanging
  - direct or indirect risks during transportation of the product to the retailer
  - mechanical damage of the product caused by user's negligence or an accident (eg. biting, breaking, impacts, excessive pulling of d-ring etc.).
1. The warranty period commences on the date of purchase. The sales receipt or your purchase invoice showing the date of purchase of the product, showing the serial number and date of purchase of the product, is the proof of the purchase date.
  2. The warranty does not cover damage resulting from:
    - a) improper installation or breach of instructions from the manufacturer's user guide
    - b) improper use of the product
    - c) improper storage or maintenance of the product
    - d) modification by a non authorized person, or a repair made without manufacturer's knowledge
    - e) natural disaster (wind, earthquake, lightning storm, etc.)
    - f) alteration of the goods made by the consumer if such an alteration resulted in a damage of the product
    - g) due to a consumer's mechanical damage
    - h) other customer's process, which would be in a contrary to the Warranty terms and conditions and the User guide
  3. The warranty can not be claimed if the goods is not completely paid, or when purchased on a sale.
  4. The claimant is obliged to prove the defect and to enable the manufacturer to check the legitimacy of the product faults and assess the extent of the product faults. Otherwise is loosing the right arising from the manufacturer's responsibility for product defects.
  5. Consumer demands arising from the producer's liability for defects are regulated in the general legislation. In the event of a proven manufacturing defect in the material, the manufacturer is obliged to replace the defective product with a faultless one.
  6. Goods submitted for complaint must be properly cleaned. The Complaints Department is entitled to refuse to accept goods for complaint if they do not comply with the principles of general hygiene.
  7. In the case of sending an item for complaint by post or forwarding company, the goods must be sufficiently packed and secured against damage. For this purpose, we recommend keeping the original packaging (not a condition for accepting the complaint).
  8. For shipping, please choose the most suitable method and carrier for you with regard to availability and speed of delivery. We are not responsible for the loss of goods sent by you.
  9. Other rights and obligations of the manufacturer and the person entitled to claim are regulated by the relevant generally binding legislation of the Czech Republic.

*The information contained in this manual may be subject to change due to developments without further notice.*

*Copying of this user guide is strictly prohibited without the prior written consent of **VNT electronics s.r.o.***